

CD/28 POWER



CAPE DORY

... a standard of value

We've called upon our experience building commercial fishing vessels and over 20 years of building quality sailing vessels to produce the Cape Dory 28 models. Starting with the incomparable seakeeping abilities of the down-east semi-displacement hull and adding a rich yachty interior has resulted in a truly remarkable power cruiser...the Cape Dory 28.



Cape Dory/28 features a "full-keel" and molded in skeg for exceptional directional stability plus adding full protection to the rudder and prop. The hull is comfortable at rest as well as streaming through a steep chop and when the weather threatens she has the speed to head for shore or the seaworthiness to ride it out.

The Cape Dory 28 is available in four models to suit almost any purpose, whether it be a short-handed cruise up the Hudson...or casting among the stripers off Cuttyhunk.

CD/28 Fly Bridge

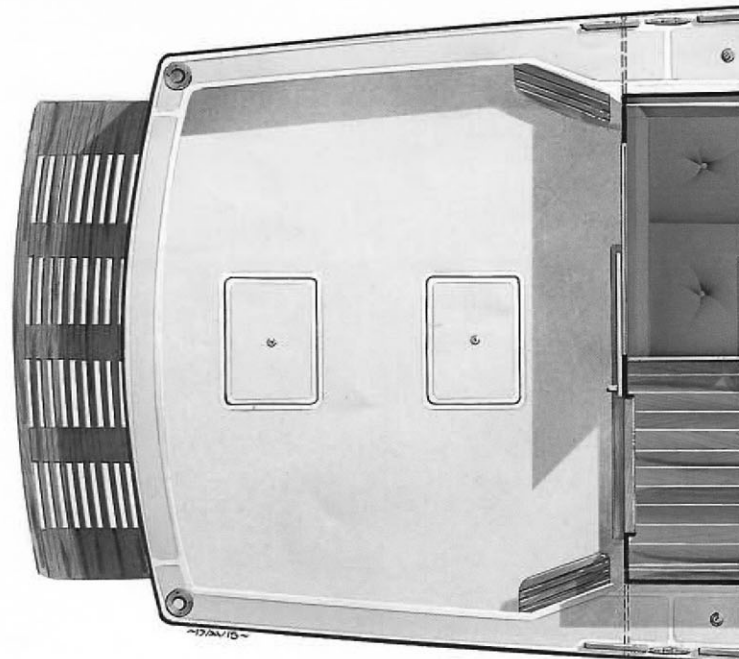
CD/28 Cruiser

CD/28 Open Fisherman

CD/280 Sport

All are based on the same proven hull form...the essence of all CD/28 models.

Cape Dory/28 Cruiser and Fly Bridge models combine com-



fort and simple elegance of a classic interior with a spacious cockpit and wide, surefooted decks. There is ample storage for all the gear and extras you'll need. Power options available on the Cruiser models will produce top speeds of 20 knots. The ultimate combination for cruising, sport fishing and entertaining.

Cape Dory/28 Cruiser

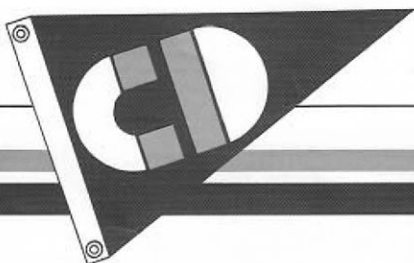
She was designed to maximize interior space, combining comfort and the simple elegance of a classic interior with spacious cockpit and wide, sure-footed decks. Cruising will be a pleasure with large, comfortable berths for 4, a head with elbow room featuring a translucent overhead for lots of natural light and a galley located to keep anyone on galley duty in the heart of the cabin's activities. A comfortable settee with large opening windows for viewing what is going on outside. The helm station offers excel-

lent visibility with all controls within easy reach. The cockpit is large enough for lounging, fishing, swimming, or an evening cocktail party. CD/28 Cruiser built in the Cape Dory tradition for knowledgeable cruising people.

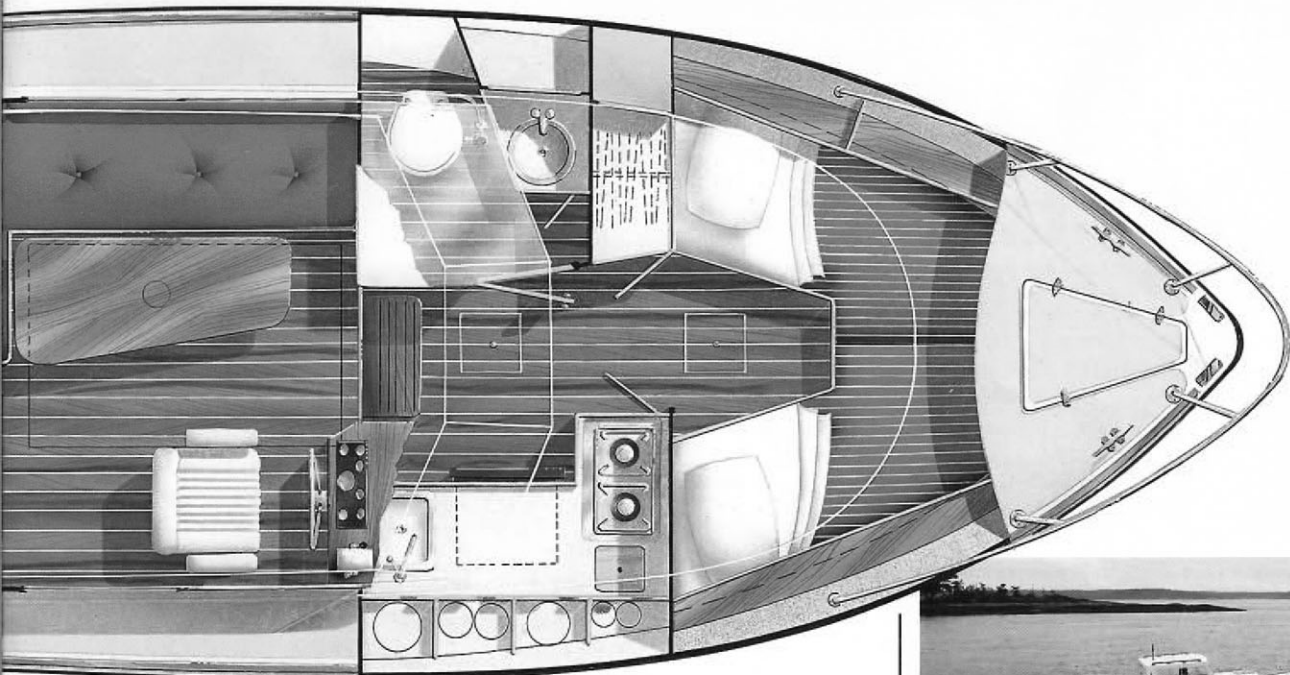


Cape Dory/28 Fly Bridge Cruiser

This model is the queen of our fleet. She has all the features of the CD/28 Cruiser plus a lofty fly bridge. Her bridge is solid with a comfortable bench seat, windshield and ample space for built-in electronics. CD/28 Fly Bridge...built with integrity for years of enjoyment and pride.



CAP



Cape Dory/28 Open Fisherman

Designed with an uncluttered cockpit and flush engine hatch for great fishing action. After a long day on the water, slip into the foc'sle for a shower, hot meal and a great night's sleep. She features the same quality joiner work and accommodations below as the cruiser model. There is lots of room for tackle boxes and rods. If fishing is your game then this is the boat for you. Whether she be powered by a high-tech turbo charged diesel or a reliable Chrysler V-8, she'll whisk



you away to the fishing grounds at 20 to 25 knots. CD/28 Open Fisherman...built with integrity, a boat that can take it.

Cape Dory/280 Sport

Workboat tough. Built with the rugged no-nonsense construction of a commercial boat. Yet, she's as good a boat for running yacht club races as for hauling moorings around or chasing after the fleet on a blustery afternoon. Below you'll find a two burner stove; portable, built-in ice chest; sink; v-berth and enclosed head area...functional and handy. On deck, you'll be taken with the spacious cockpit and wheelhouse. Unlike her work boat sisters, both sides of the wheelhouse are enclosed. Adding a canvas aft would keep out the chill on a November day or keep her dry during an August Nor'easter. The CD/280 Sport—economic ruggedness, but through and through a Cape Dory.



Cape Dory/28's are built by the New England craftsmen of Cape Dory Yachts. Each vessel is hand crafted with special attention to joiner work and details that combine to produce a well-built boat with timeless good looks.

Cape Dory/28 — built with integrity in the Cape Dory tradition for years of enjoyment and pride. A vessel that will retain its value for years to come.

CAPE DORY/28 POWER

CAPE DORY/28 POWER

Built with integrity... When Andy Vavolotis, founder and president of Cape Dory Yachts built his first boat over 20 years ago — his goal was to build a boat that sailed well, looked good and met his high standards of safety and quality.

Cape Dory's founding principles have not changed. Our New England craftsmen have consistently built boats of enviable quality and proven design. Every step in production is carefully controlled and engineered. Every process subject to refinement and upgrading. All workmanship is closely inspected to produce quality yachts. Cape Dory Yachts — sail, motorsailers and power yachts — built with integrity for years of enjoyment and pride to their owners.



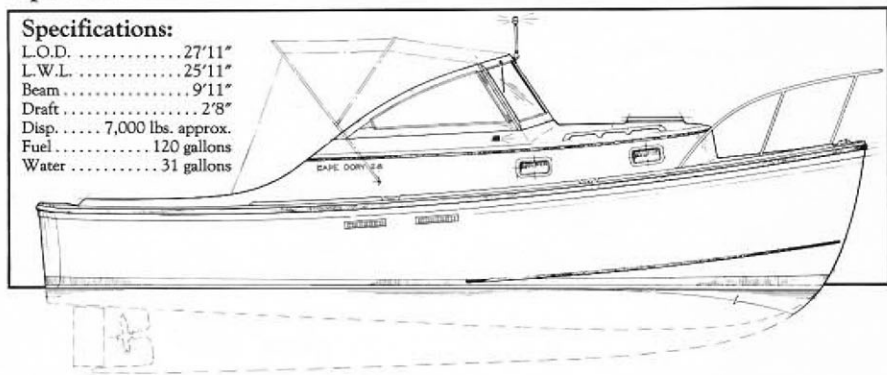
For more comprehensive information on the Cape Dory 28 — Send \$25. for a VHS Home Video. Send \$10. for a complete owners manual.

Cape Dory Yachts, Inc., 160 Middleboro Ave., Dept. CD/28, East Taunton, MA 02718. Telephone (617) 823-6776.

Open Fisherman

Specifications:

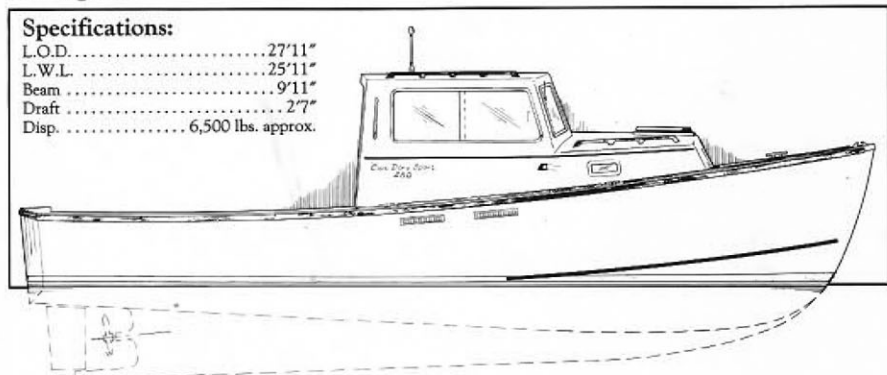
L.O.D. 27'11"
L.W.L. 25'11"
Beam 9'11"
Draft 2'8"
Disp. 7,000 lbs. approx.
Fuel 120 gallons
Water 31 gallons



280 Sport

Specifications:

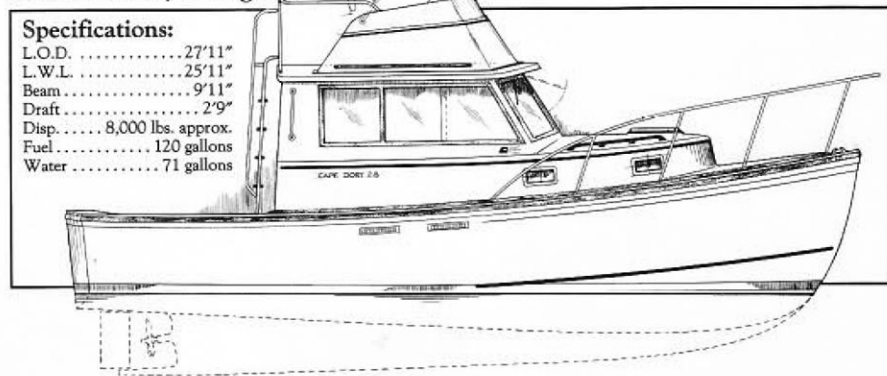
L.O.D. 27'11"
L.W.L. 25'11"
Beam 9'11"
Draft 2'7"
Disp. 6,500 lbs. approx.



Cruiser & Fly Bridge

Specifications:

L.O.D. 27'11"
L.W.L. 25'11"
Beam 9'11"
Draft 2'9"
Disp. 8,000 lbs. approx.
Fuel 120 gallons
Water 71 gallons



CAPE DORY

... a standard of value